

ON/OFF Valves

Series VPOO (S.2000)

Heavy Duty valve 2 way

BUROCCO

INDUSTRIAL VALVES srl

BUROCCO INDUSTRIAL VALVES srl VIA NOVEVIS, 33 - 13867 PRAY (BI) - ITALY

burocco@burocco.it — www.burocco.it

Tel.: +39 015 76.72.78 — Fax: +39 015 76.71.36

Technical data

Size (DN)	DN 15 — 150
Pressure rating	PN16, PN40 ANSI 300
Connections	Flanges UNI/DIN PN16, PN40 Flanges ANSI 300
Type sealing	Metallic (Class IV - V), soft (Class VI)
Characteristic	Equalpercentage (eqp%)
Action	Pneumatic with piston (supply max 8 bar)
Temperature	from -196 to +350 °C

Description

The Series VPOO “Heavy Duty” ON/OFF valve offers superior performance in nearly all types in liquid and gaseous services within a wide temperature range. Due to the modular body construction the valves can easily be upgraded to special applications. The Series VPOO is the industry choice for a reliable and tough ON/OFF valve. All Burocco valves are delivered after testing and calibration and ready for a long utilize, without maintenance.

Options

- ⇒ Characteristic on/off
- ⇒ Soft seal
- ⇒ Seals actuator FPM
- ⇒ High temperature extension (finned bonnet)
- ⇒ Extension (- 60 / - 100 °C)
- ⇒ Cryogenic extension (- 196 °C)
- ⇒ Bellows seal (double wall PN16, triple wall PN40)
- ⇒ Flanges can be drilled to ANSI 150 but
with face to face and rating according to DIN
- ⇒ Full stainless steel actuator and yoke for corrosive environment
- ⇒ 3-way (diverting) valves (see brochure VPOO/3)
- ⇒ Handwheel for emergency operation
- ⇒ Valve positioners
- ⇒ Limit switches
- ⇒ Position feedback
- ⇒ Airset



Flow rate coefficient (CV)

DN	CV	KVs
15	4	3,5
20	7	6
25	12	10
32	18	15,5
40	28	24
50	48	41
65	72	61,5
80	105	90
100	160	136
150	300	256

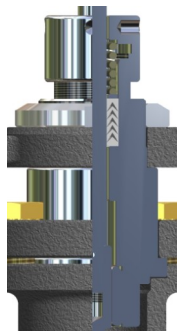
ON/OFF Valves
Series VPOO (S.2000)
 Heavy Duty valve 2 way

BUROCCO
INDUSTRIAL VALVES srl

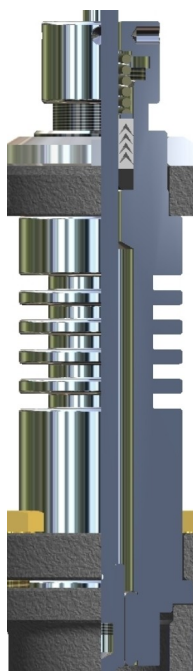
Materials	
Valve body*	Nodular cast iron GGG 40 (PN16) Carbon steel ASTM A216WCB Stainless steel ASTM CF8M
Trim (plug - seat)	316L / 17-4PH / 316L+Stellite / Hastelloy / Monel
Stem	316L / Hastelloy / Monel
Packing	PTFE, PTFE/CG, graphite, special
Body gasket	SIL C4500, NOVAPHIT, PTFE, special
Acuator	Stainless steel
Yoke	GGG 40 (epoxy varnish) Stainless steel

* Special body material on request

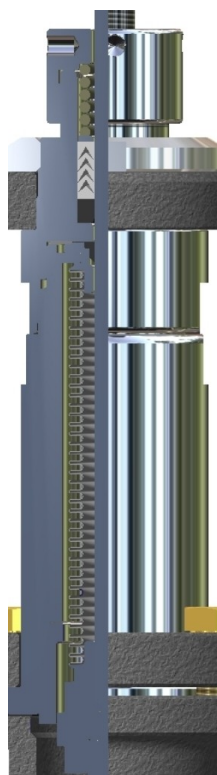
Bonnet specifications (temperatures limit employment)



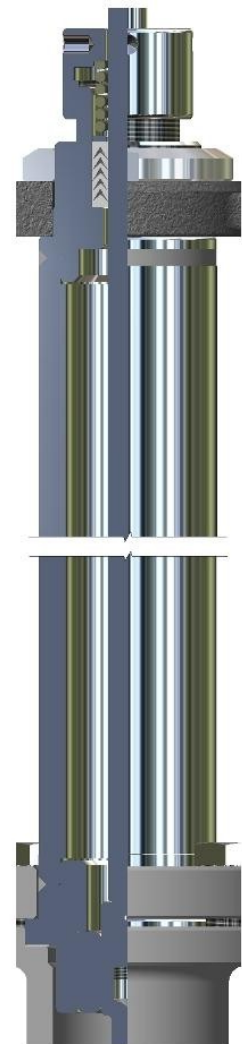
Standar (-30°C / +250 °C)



Finned (-30°C / +350 °C)



Bellows (-100°C / +350 °C)

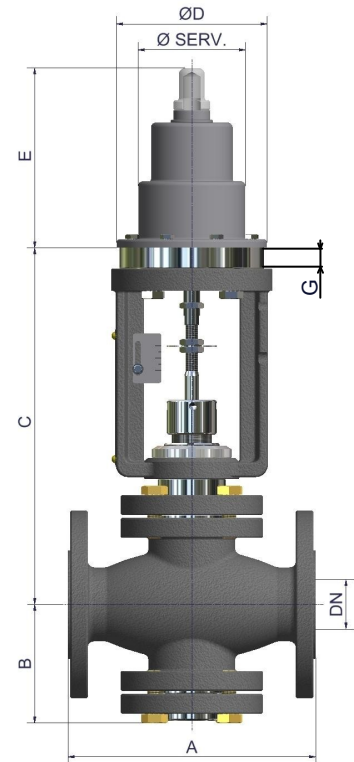


Criogenic (-196°C / +180 °C)

ON/OFF Valves
Series VPOO (S.2000)
 Heavy Duty valve 2 way

BUROCCO
INDUSTRIAL VALVES srl

Dimensions (mm) and weight (kg) serie 2000 - UNI/DIN PN16/40 ANSI 150



Type actuator with piston		
Ø SERV	D (mm)	G
S82	122	1/8"G
S118	165	1/4"G
S136	185	
S153	215	
S235	On request	

Dimensions

DN	A	B	C						D	E
			Standard	-60 °C (extension)	-100 °C (extension)	-200 °C (criogenic)	High.Temp. (finned)	Bellows		
15	130	96	314	376	451	746	400	420	122	190
20	150	96	314	376	451	746	400	420	122	190
25	160	96	314	376	451	746	400	420	122 / 165	190 / 206
32	180	96	314	376	451	746	400	420	122 / 165	190 / 206
40	200	96	314	376	451	746	400	420	122 / 165	190 / 206
50	230	100	314	376	451	746	400	420	122 / 165	190 / 206
65	290	137	341	403	478	773	426	447	165 / 185	216 / 242
80	310	137	341	403	478	773	426	447	165 / 185	216 / 242
100	350	159	361	423	498	793	446	467	185 / 215	242 / 292
150	480	233	On request	On request	On request	On request	On request	On request	On request	On request

Indicative weight*

DN	15	20	25	32	40	50	65	80	100	150
kg	15,5	17	18 / 21,5	20,5 / 24	21 / 24,5	29 / 32,5	49 / 53	53 / 57	69,5 / 74	On request

* without positioner, airset or other accessories

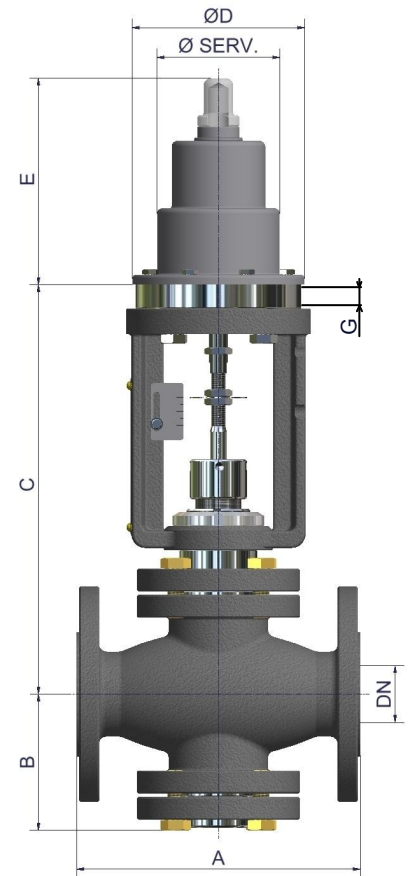
Extra weight with bonnet extension				
DN	-60 / -100 °C	-200 °C	High Temp.	Bellows
15-50	+ 2	+ 3,5	+ 1	+ 1,5
65-100	+ 2	+ 4	+ 3	+ 2
150	+ 5	+ 15	+ 10	On request

Burocco reserves the right to make improvements without prior notice 04/14

ON/OFF Valves
Series VPOO (S.2000)
 Heavy Duty valve 2 way

BUROCCO
INDUSTRIAL VALVES srl

Dimensions (mm) and weight (kg) serie VPOO - ANSI 300



Type actuator with piston		
Ø SERV	D (mm)	G
S82	122	1/8" G
S118	165	1/4" G
S136	185	
S153	215	
S235	On request	

Dimensions

DN	A	B	C						D	E
			Standard	-60 °C (extension)	-100 °C (extension)	-200 °C (criogenic)	High.Temp. (finned)	Bellows		
25	197	96	314	376	451	746	400	420	122 / 165	190 / 206
40	235	96	314	376	451	746	400	420	122 / 165	190 / 206
50	267	100	314	376	451	746	400	420	122 / 165	190 / 206
80	318	137	341	403	478	773	426	447	165 / 185	216 / 242
100	368	159	361	423	498	793	446	467	185 / 215	242 / 292
150	473	233	On request	On request	On request	On request	On request	On request	On request	On request

Indicative weight*

DN	25	40	50	80	100	150
kg	18,5 / 22	22 / 25,5	30 / 33,5	54 / 58	71,5 / 76	On request

* without positioner, airset or other accessories

Extra weight with bonnet extension				
DN	-60 / -100 °C	-200 °C	High Temp.	Bellows
25-50	+ 2	+ 3,5	+ 1	+ 1,5
80-100	+ 2	+ 4	+ 3	+ 2
150	+ 5	+ 15	+ 10	On request

Burocco reserves the right to make improvements without prior notice 04/14