

Control Valves

Series 3500

Low Flow Valves

BUROCCO

INDUSTRIAL VALVES srl

Technical data

Size (DN)	DN 4—10 (1/4")
Pressure rating	UNI/DIN PN40, ANSI300
Connections	Threaded 1/4" GAS, NPT Welded BW, SW
Type sealing	Metallic (Class IV - VI)
Characteristic	Equalpercentage (eqp%)
Action	Pneumatic with diaphragm (supply max 3 bar)
Temperature	from -30 to +180°C

Description

Microflow control valves with solid and compact shape, for low flow laboratory are designed for precision controlling (high rangeability 50:1). The body is manufactured from bar stock in stainless steel AISI 316L. Actuator and yoke are in stainless steel AISI 304. All Burocco valves are delivered after testing and calibration and ready for a long utilize, without maintenance.



Options

- ⇒ Characteristic linear
- ⇒ Special alloys for body: Hastelloy, Duplex, Monel
- ⇒ Special rating PN63/100
- ⇒ Valve positioners
- ⇒ Limit switches
- ⇒ Position feedback
- ⇒ Airset

Flow rate coefficient (CV)

DN	CV	KVs
4/10	0,3	0,26
	0,2	0,17
	0,1	0,09
	0,08	0,068
	0,06	0,051
	0,05	0,043
	0,03	0,026
	0,02	0,017
	0,01	0,009

Control Valves

Series 3500

Low Flow Valves

BUROCCO

INDUSTRIAL VALVES srl

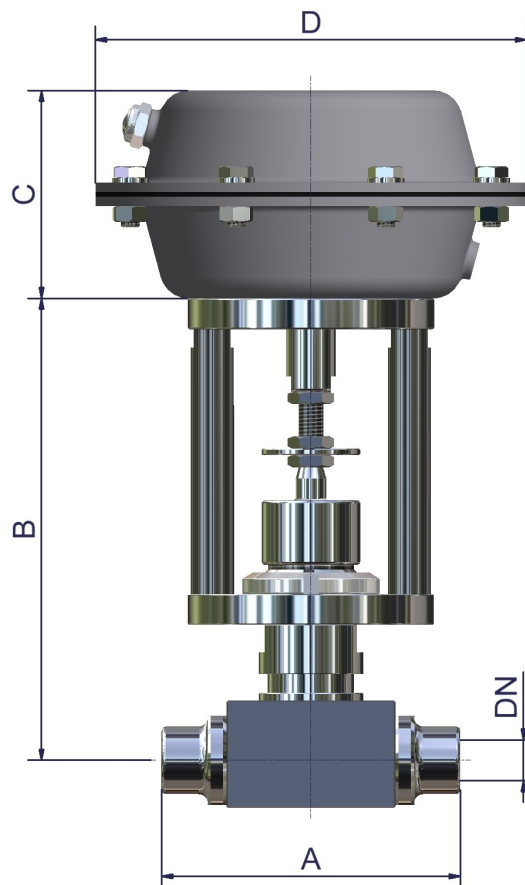
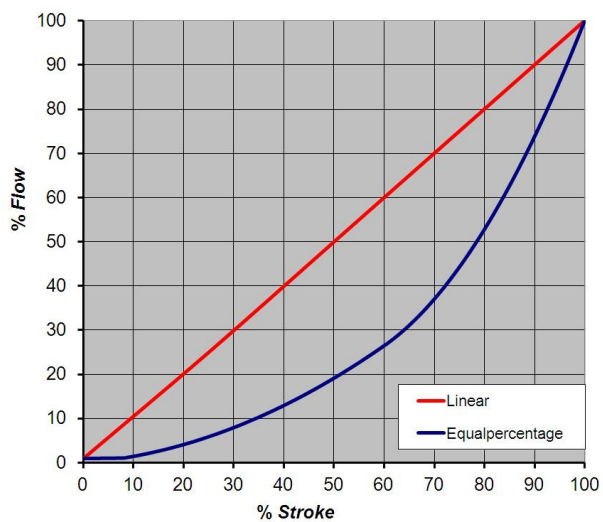
BUROCCO INDUSTRIAL VALVES srl VIA NOVEIS, 33 – 13867 PRAY (BI) - ITALY

burocco@burocco.it — www.burocco.it

Tel.: +39 015 76.72.78 — Fax: +39 015 76.71.36

Materials	
Valve body	AISI 316L
Trim (plug - seat)	17-4PH / AISI 316Ti NITRONIC 50 / AISI 316Ti
Steam	AISI 316L
Packing	PTFE, PTFE+'OR' FPM
Body gasket	PTFE
Acuator	Stainless steel
Yoke	Stainless steel

Control characteristic



Standard dimensions (mm)				
DN	A	B	C	D
4/10	97	150	68	Ø140

Standard weight *	
DN	4/10
kg	3,3

* without positioner, airset or other accessories