

ON-OFF free flow valves Series VPFL/BW

BUROCCO

INDUSTRIAL VALVES srl

Technical data

Size (DN)	DN 15 - 200
Rating	PN 16 (15-125) - PN 10 (150-200)
Connections	Butt weld (BW)
Plug characteristic	Disc
Actuator	Pneumatic with piston AISI 304
Supply	min 4 / max 8 bar
Temperature	from -30 to +150 °C

Description

Pneumatic valve angle seat with high coefficient of flow, solid construction and compact. Versatility due to the construction of stainless steel for use in harsh environments. They can be employed in several sector as: textile dyeing and finishing plants, chemical plants, water-treating, alimentary, general industrial plants. All Burocco valves are delivered after testing and calibration and ready for a long utilize, without maintenance.

Options

- ⇒ Normally open (NO)
- ⇒ Double effect (DE)
- ⇒ Seals FPM (for steam max 180 °C)
- ⇒ Handwheel for emergency operation
- ⇒ Rate shutter
- ⇒ Mechanical limit switch / proximity / microswitches box
- ⇒ Solenoid
- ⇒ Electropneumatic converter signal 4-20 mA
o 0-10 VDC (control plug)
- ⇒ Special executions on request



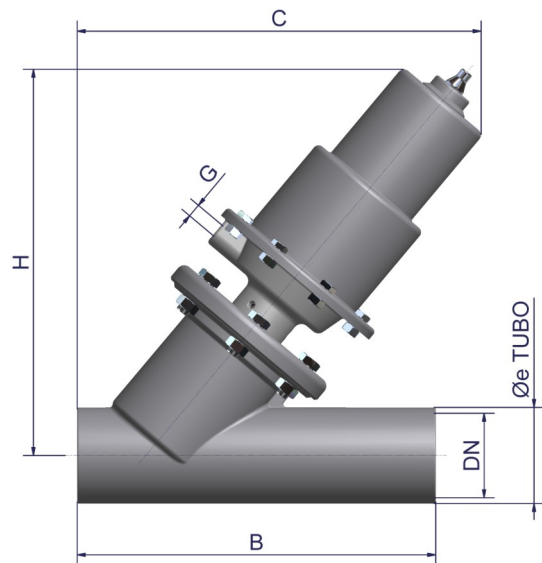
DN	15	20	25	32	40	50	65	80	100	125	150	200
C _v	5	9	14	22	34	53	91	138	217	339	490	865
K _{vs}	4,3	7,7	12	18,8	29	45,3	77,8	118	185,5	290	419	739

ON-OFF free flow valves Series VPFL/BW

BUROCCO

INDUSTRIAL VALVES srl

Materials	
Valve body	AISI 316/316L
Insert plug	PTFE (STD) - PTFE/CG - SILICON
Stem / Plug	AISI 316/316L
Packing	Standard PTFE ring energized with O-ring FPM
Body gasket	PTFE (STD) - CARBOFIBER - GRAFITE ARMATA
Seal actuator	NBR



Dimensions (mm)						
DN - servoc.	B	C	H	Øe TUBO	G	weight (Kg) *
15 - S.63	126	190	190	21,3	1/8" G	2,5
20 - S.63	146	195	190	26,9	1/8" G	2,5
20 - S.82	146	220	220	26,9	1/8" G	3,0
25 - S.63	156	195	190	33,7	1/8" G	2,9
25 - S.82	156	235	230	33,7	1/8" G	3,5
32 - S.63	176	200	195	42,4	1/8" G	3,0
32 - S.82	176	225	220	42,4	1/8" G	4,1
40 - S.82	196	245	230	48,3	1/8" G	5,0
40 - S.118	196	300	295	48,3	1/8" G	8,1
50 - S.82	226	255	245	60,3	1/8" G	6,0
50 - S.118	226	315	310	60,3	1/8" G	8,5
65 - S.118	286	320	280	76,1	1/8" G	10,5
65 - S.136	286	345	305	76,1	1/4" G	14,0
80 - S.136	306	350	320	88,9	1/4" G	17,0
80 - S.153	306	385	360	88,9	1/4" G	19,5
100 - S.136	345	385	335	114,3	1/4" G	21,5
100 - S.153	345	420	375	114,3	1/4" G	24,5
125 - S.153	395	495	400	139,7	1/4" G	32,0
150 - S.153	475	545	425	154	1/4" G	30,5
200 - S.235	595	On request	On request	205	1/4" G	On request

* Actuator without accessories.

Burocco reserves the right to make improvements without prior notice 04/14