



Purge Flowmeter with Needle Valve (for Scientific Instrumentation System)

MODEL RK1600R SERIES

The MODEL RK1600R Series Flowmeter is a compact, lightweight model with needle valve designed through our all-out effort at streamlining with the aim of achieving an economical but superior quality flowmeter in accuracy and repeatability, and still more, handy at operation site.

Features

- Compact design
- Economical
- Very small in size
- Wide variations

Applications

- For environmental instrumentation systems
- For general instruments for analysis
- For purge systems
- For semiconductor manufacturing equipment

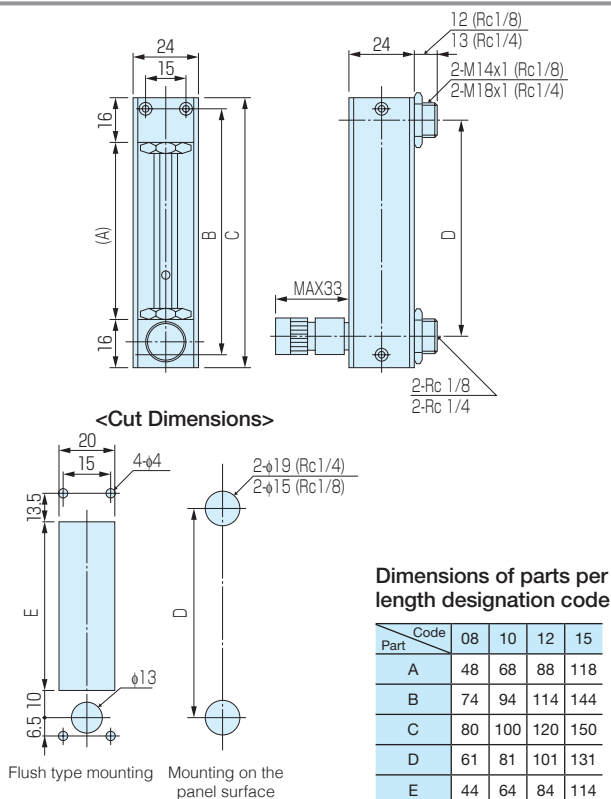


Standard Specifications

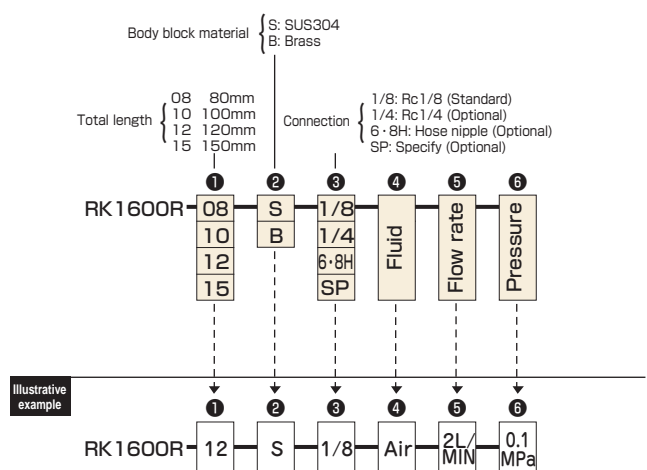
Fluids	Air, N ₂ , O ₂ , H ₂ , He, Ar, and CO ₂ (Calibration by actual gas) For other gases, consultation is necessary regarding whether conversion conditions or calibration by actual gas is to be used.
Flow range (Full scale)	1L, 2L, 3L, 5L, 10L, 15L, 20L/MIN
Accuracy	FS±5% (Measurement point)
Proof pressure	0.8 MPa for 5 L/MIN or less 0.5 MPa for 10 L/MIN or more
Available scale	10:1

Materials	S	BS
Body block and some other components	SUS303, SUS304	Brass
Tapered tube	Pyrex®, glass	
Packing	FKM	NBR
Float	Pyrex, SUS316, glass	
Protective cover	Acrylic resin	
(Temperature resistance)	MAX60°C	
Connection	Rc1/8 (Standard); Rc1/4 (Optional)	

Dimensions



Ordering



* Refer to "Ordering" and "Illustrative example" when placing an order or requesting a quotation. Fill in the blanks in the "Order/Quotation Request Card" at the end of the catalog, and send the card by fax.